
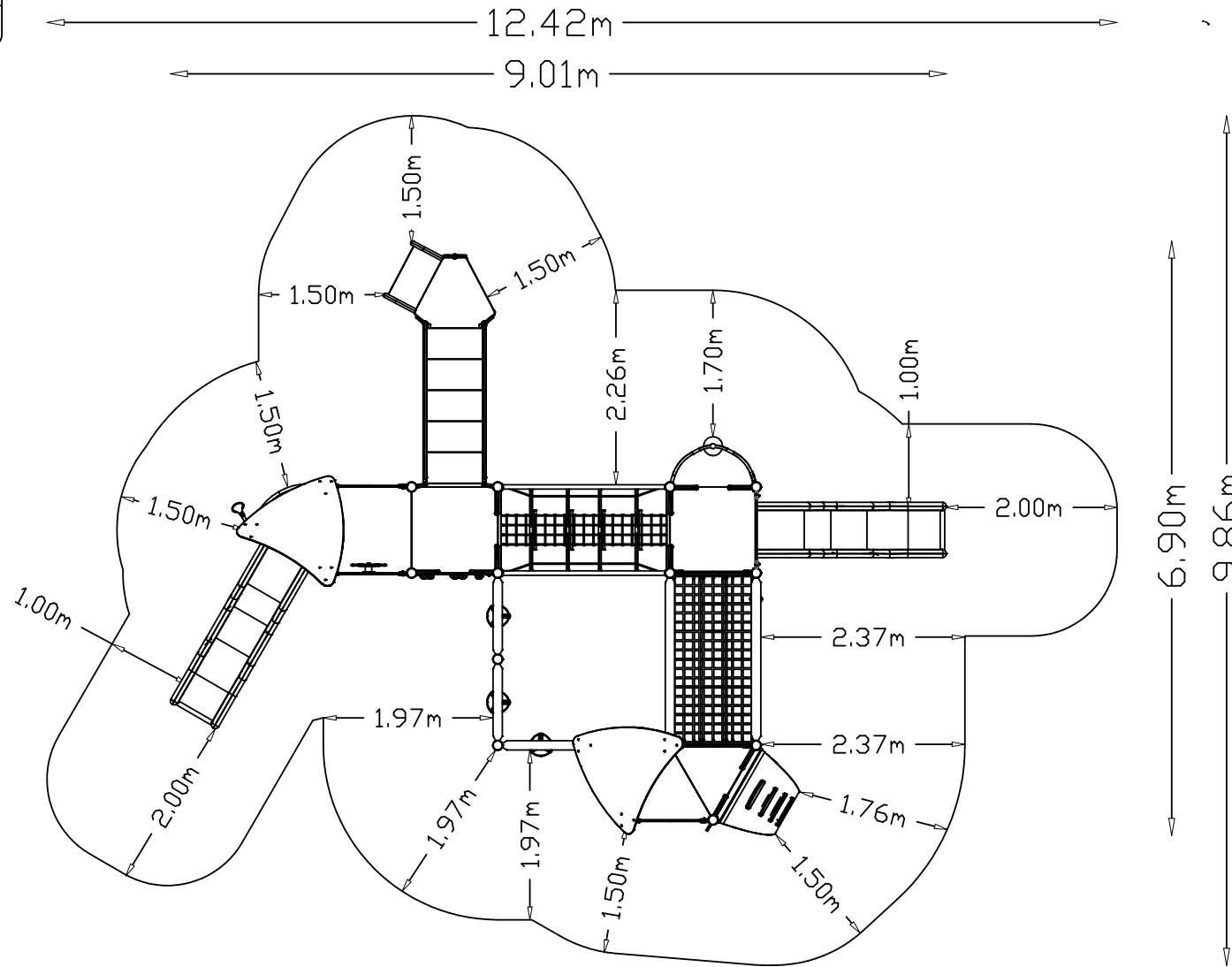


S6



EN1176  
2.80m

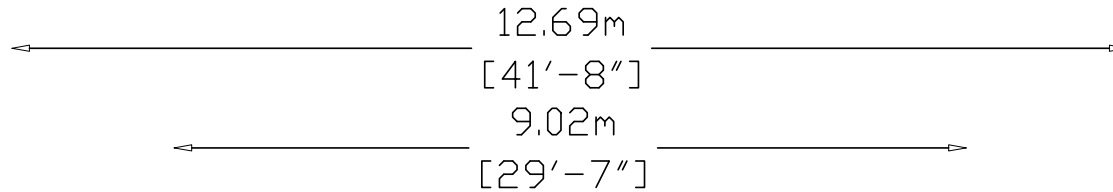
# EN1176



S8

ASTM F1487  
9'-2"

# ASTM F1487

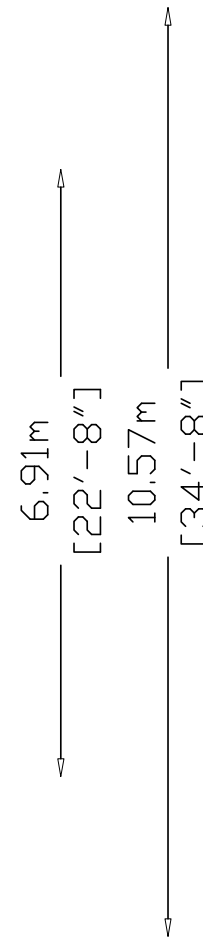
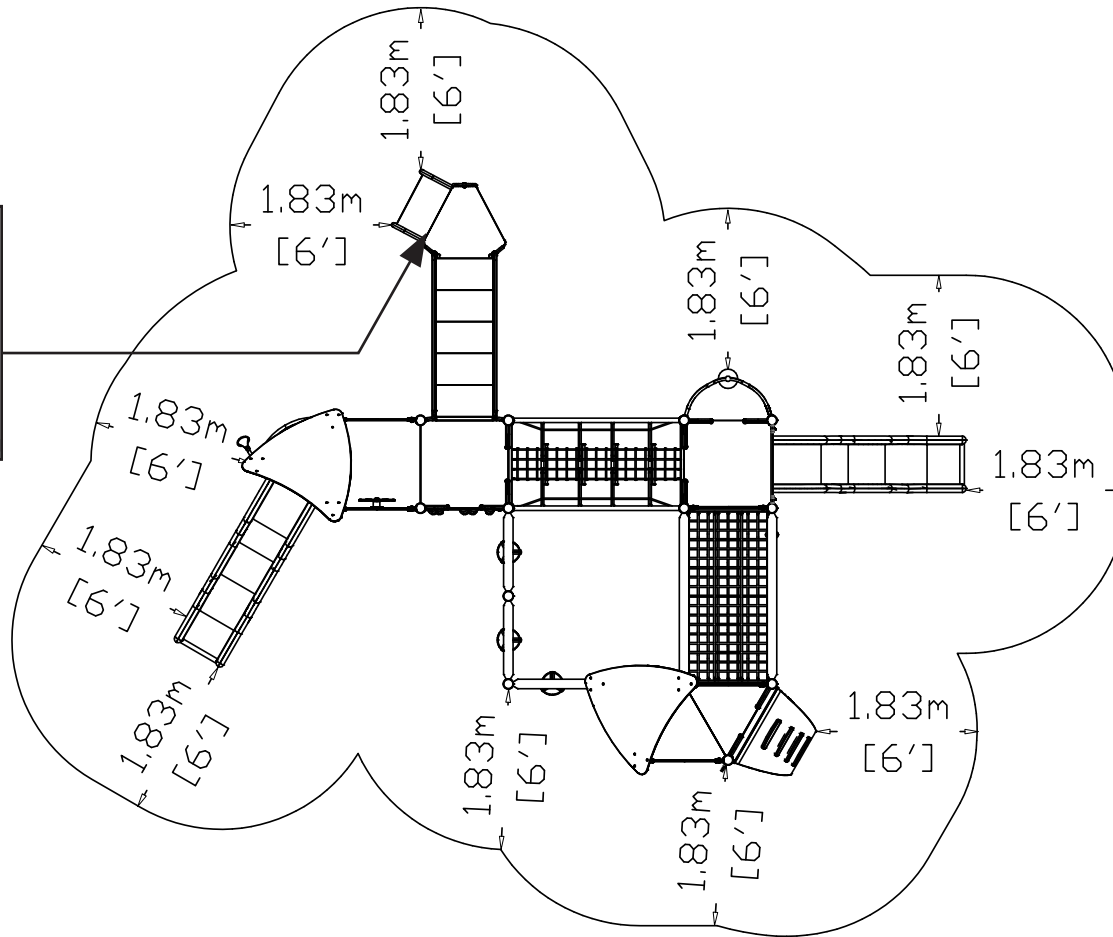


8031954

## HAGS®

FOR KIDS AGES  
**5-12**  
YEARS

ADULT SUPERVISION RECOMMENDED  
www.hags.com



**INSTALL**

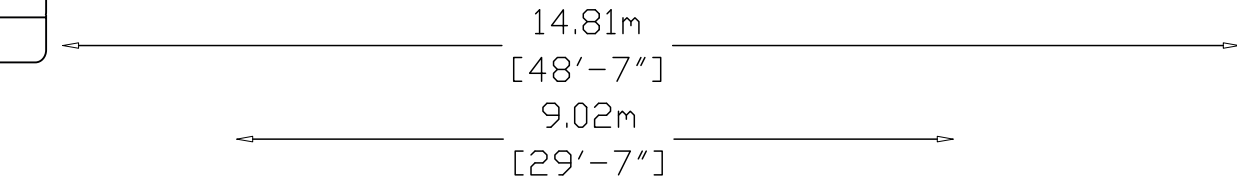
**101**

<p><b>⚠ WARNING</b> Playset equipment should not be used when the air exceeds 100°F or 38°C and the ground is dry. Do not use the playset when the ground is wet. Do not use the playset when the ground is icy. Do not use the playset when the ground is covered with snow or ice. Do not use the playset when the ground is covered with sand or dirt. Do not use the playset when the ground is covered with leaves or other debris. Do not use the playset when the ground is covered with grass or other vegetation. Do not use the playset when the ground is covered with any other material that could cause injury or damage to the playset.</p>	<p><b>⚠ WARNING</b> Children are required to wear their seat belts while riding on this playset. Do not use the playset if the seat belts are not working properly. Do not use the playset if the seat belts are damaged. Do not use the playset if the seat belts are missing. Do not use the playset if the seat belts are not properly attached. Do not use the playset if the seat belts are not properly fastened. Do not use the playset if the seat belts are not properly buckled. Do not use the playset if the seat belts are not properly latched. Do not use the playset if the seat belts are not properly locked. Do not use the playset if the seat belts are not properly tested. Do not use the playset if the seat belts are not properly inspected. Do not use the playset if the seat belts are not properly maintained. Do not use the playset if the seat belts are not properly repaired. Do not use the playset if the seat belts are not properly replaced. Do not use the playset if the seat belts are not properly disposed of. Do not use the playset if the seat belts are not properly stored. Do not use the playset if the seat belts are not properly cleaned. Do not use the playset if the seat belts are not properly dried. Do not use the playset if the seat belts are not properly folded. Do not use the playset if the seat belts are not properly packed. Do not use the playset if the seat belts are not properly shipped. Do not use the playset if the seat belts are not properly received. Do not use the playset if the seat belts are not properly unpacked. Do not use the playset if the seat belts are not properly stored away from children.</p>	<p><b>play smart!® rules</b></p> <p>Do not play on broken or damaged equipment. Do not play on equipment that is not properly installed or maintained. Do not play on equipment that is not properly inspected. Do not play on equipment that is not properly tested. Do not play on equipment that is not properly repaired. Do not play on equipment that is not properly replaced. Do not play on equipment that is not properly disposed of. Do not play on equipment that is not properly stored. Do not play on equipment that is not properly cleaned. Do not play on equipment that is not properly dried. Do not play on equipment that is not properly folded. Do not play on equipment that is not properly packed. Do not play on equipment that is not properly shipped. Do not play on equipment that is not properly received. Do not play on equipment that is not properly unpacked. Do not play on equipment that is not properly stored away from children.</p>
--	---	--

S9

CSA Z 614  
2.80m  
[9'-2"]

# CSA Z614

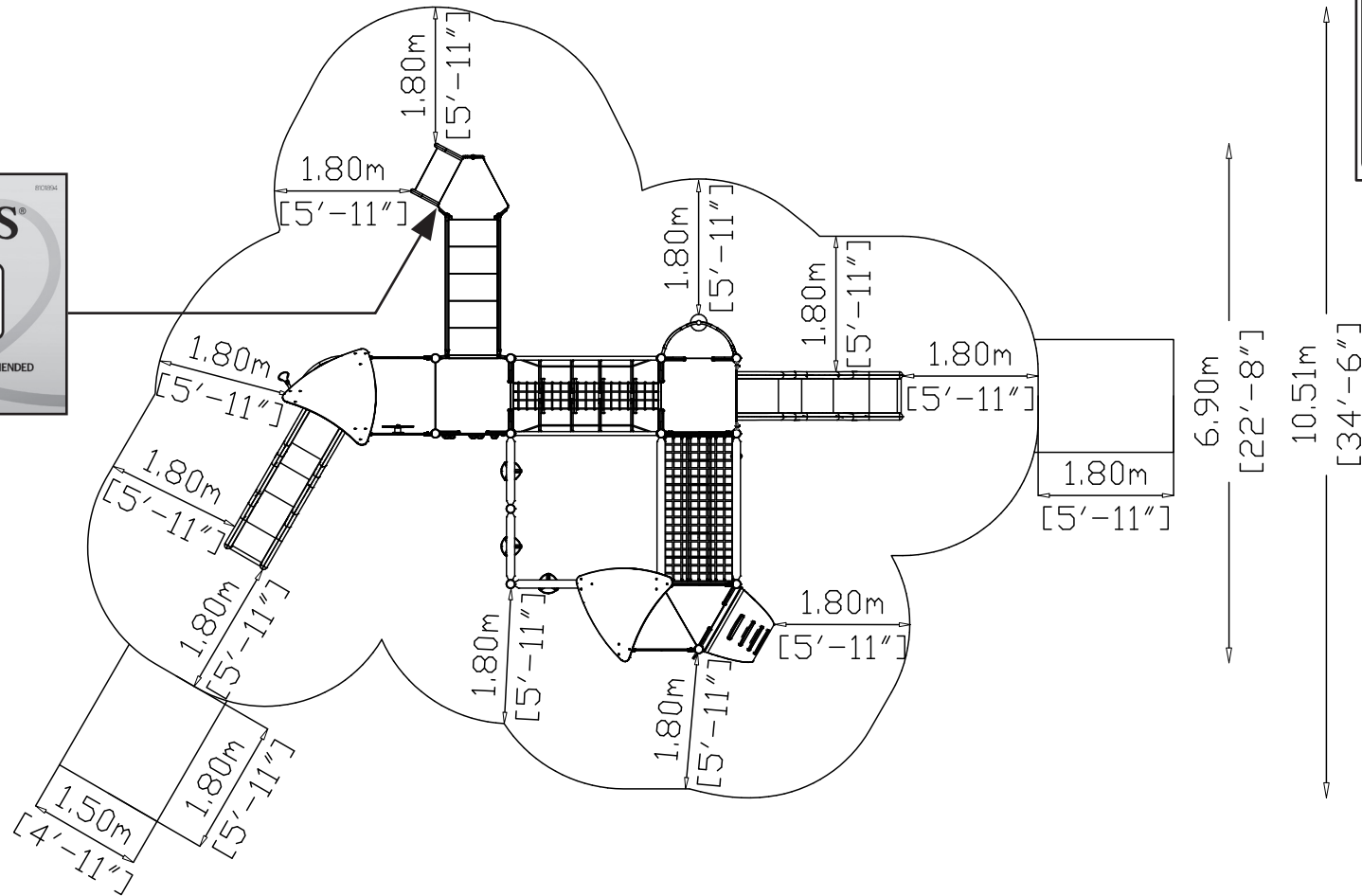


RECR04

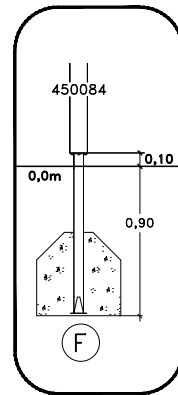
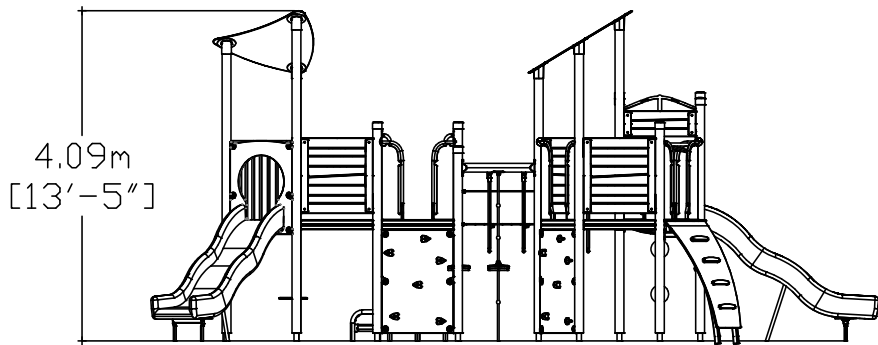
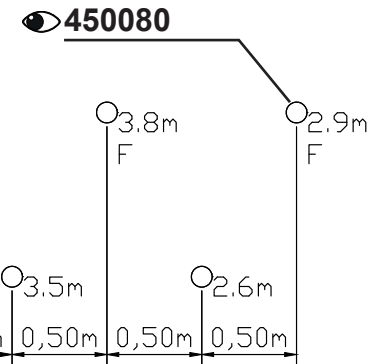
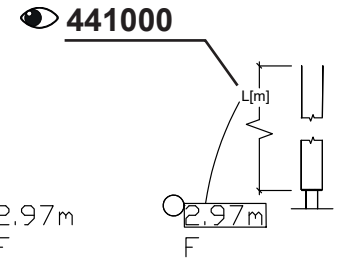
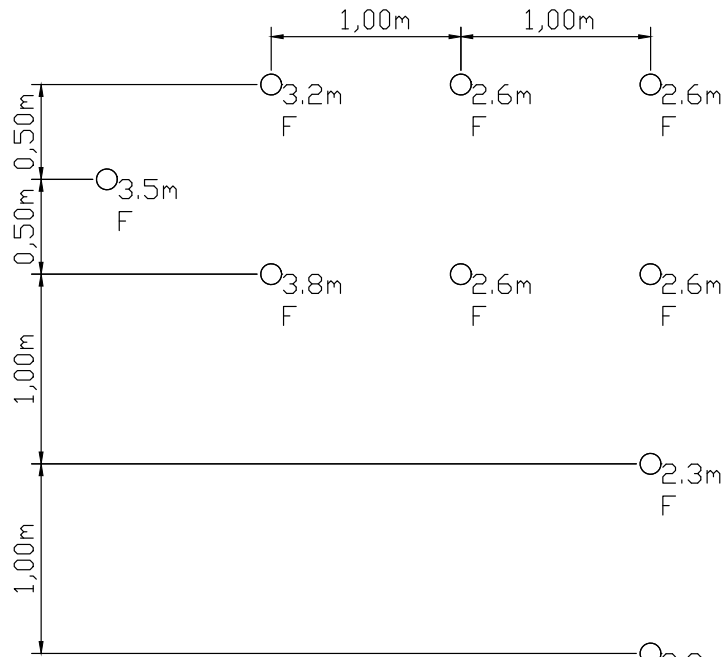
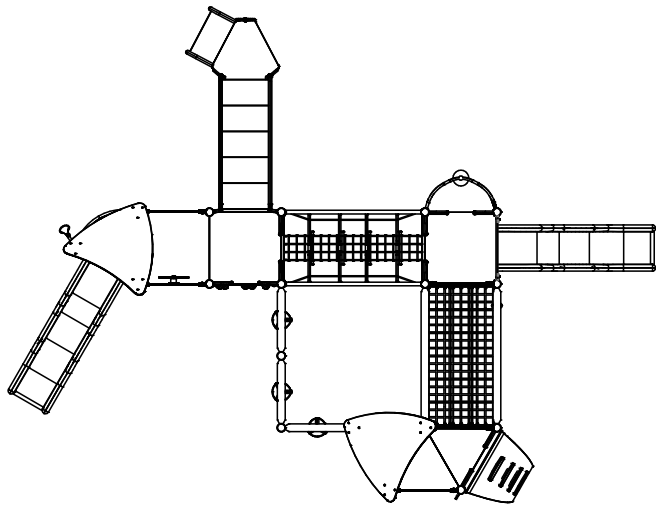
## HAGS®

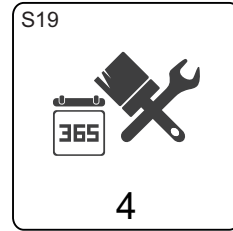
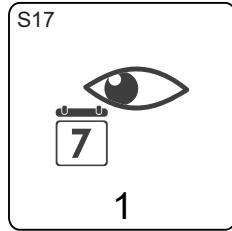
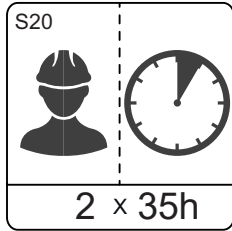
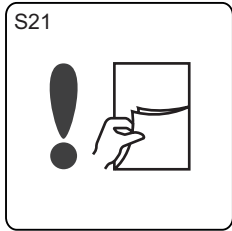
FOR KIDS AGES  
**5-12**  
YEARS

ADULT SUPERVISION RECOMMENDED  
www.hags.com



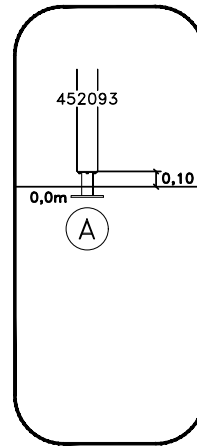
<p><b>WARNING</b> Playground equipment must not be used as a means of access to public utility or other services. Do not use the equipment as a means of access to public utility or other services. Do not use the equipment as a means of access to public utility or other services.</p>	<p><b>WARNING</b> Children are required to use the equipment in a safe manner. Do not use the equipment in a manner that is not intended. Do not use the equipment in a manner that is not intended.</p>	<p><b>play smart® rules</b> Do not play on broken or damaged equipment. Report it. Do not play without adequate safety supervision. No tobacco, alcohol or drugs should be used while playing. Do not play on or near playground equipment or its structure if it is damaged. Watch your head. Do not run, climb, swing, slide, or use equipment in a way that is not intended. Do not play on swings or on equipment if the seats or on top of or over the top of the equipment. Do not climb on walls, fences, or posts. Do not slide on rails or slides or ladders.</p>
<p><b>WARNING</b> All playground equipment and rubber surfacing must be installed in accordance with the manufacturer's instructions. Check for hot surfaces before allowing children to play. Children should wear appropriate shoes at all times.</p>	<p><b>WARNING</b> Pay attention to the manufacturer's instructions. Do not use the equipment in a manner that is not intended. Do not use the equipment in a manner that is not intended.</p>	<p><b>WARNING</b> Adults - do not slide with a child on your lap. Do not ride your child's lap. Do not let your child sit on your lap. Do not let your child sit on your lap. Do not let your child sit on your lap.</p>



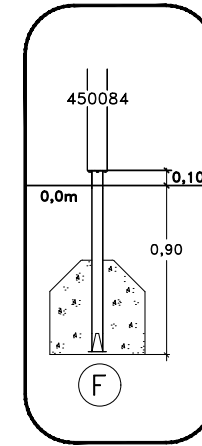


**Install 101**  
**260329**  
**420995**  
**441000**  
**450080**  
**42091210**  
**45071503**  
**45275323**  
**45475323**  
**MA420U74410**  
**MA422U77151**  
**MA424U77151**  
**MA45060310**  
**MA45271810**  
**MASW103874**  
**MASW34156**  
**MASW35156**  
**MASW35330**  
**MASW38904**  
**MASW39775**  
**MASW42193**

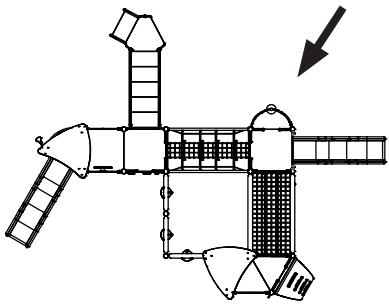
**MASW53817**  
**MASW85869**  
**MAUSW36714**  
**MAUSW42199**  
**ST4203**



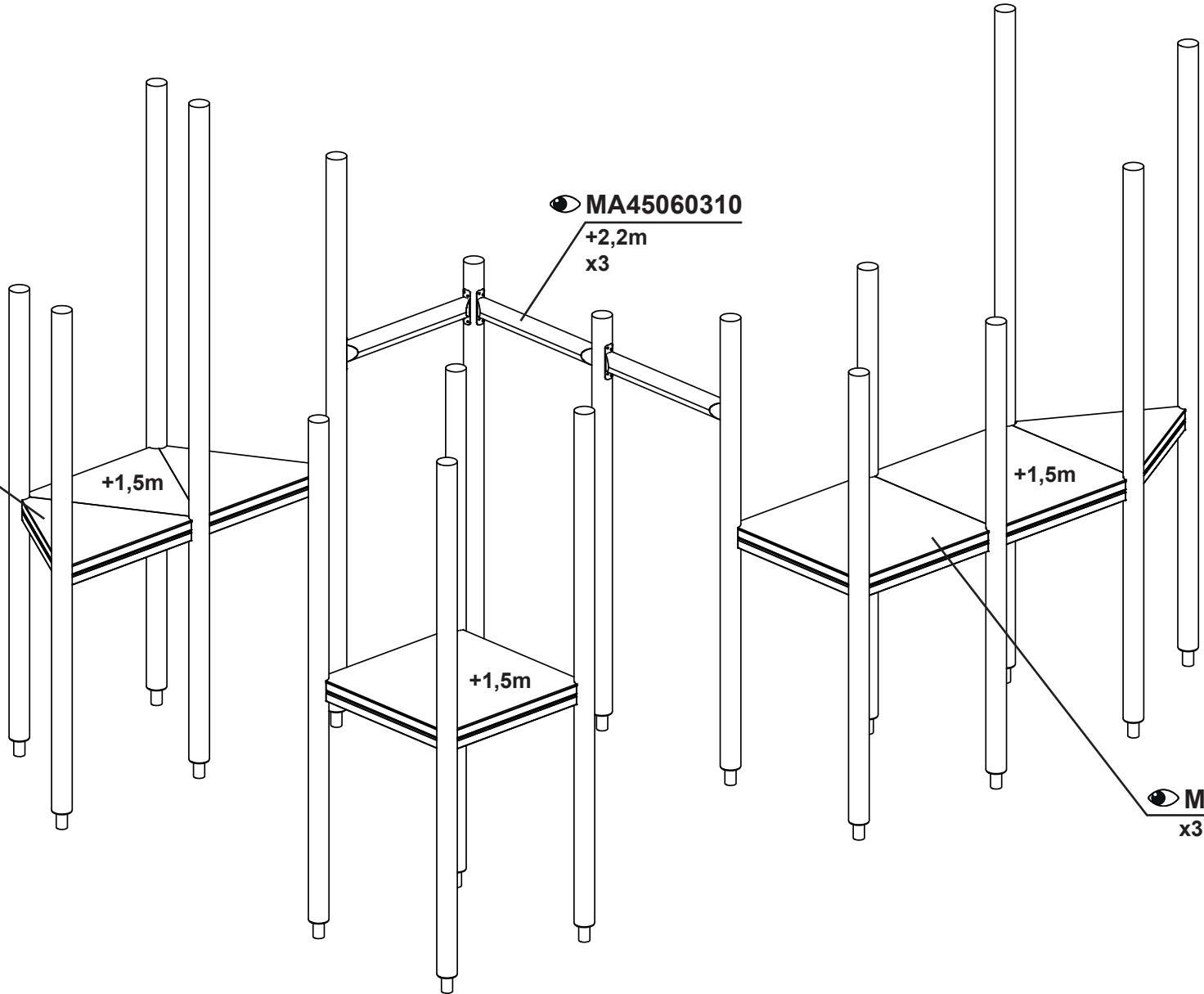
**Above Ground**  
**OM**



**Cast Loose Fill**  
**BM**  
**8102038**

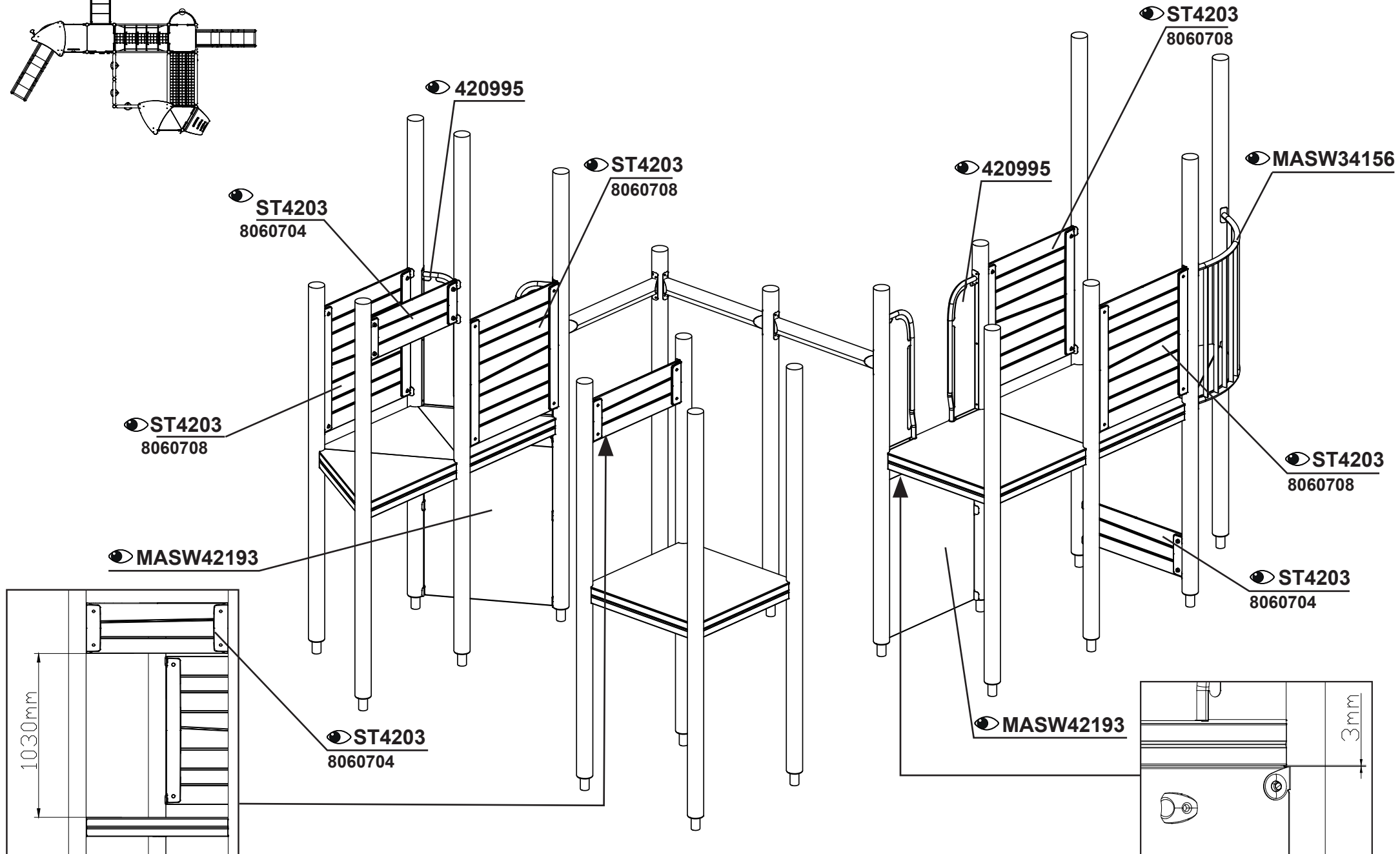
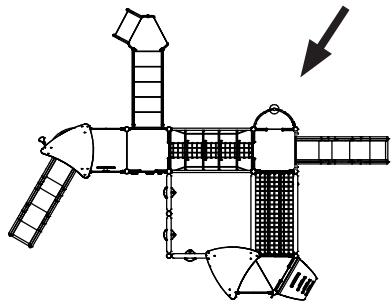


● **MASW53817**  
x4

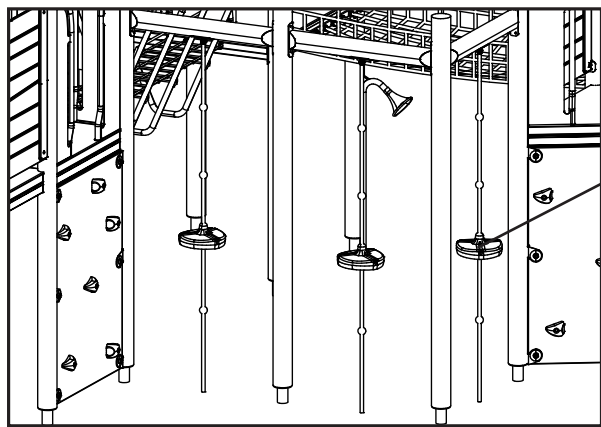
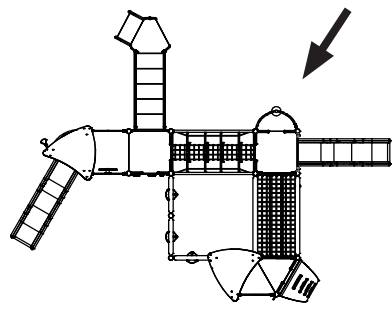


● **MA45060310**  
+2,2m  
x3

● **MASW63820**  
x3







MA45271810

x3

MASW35156

+2,80m

MA420U74410

MAUSW36714

42091210

45475323 [BM]

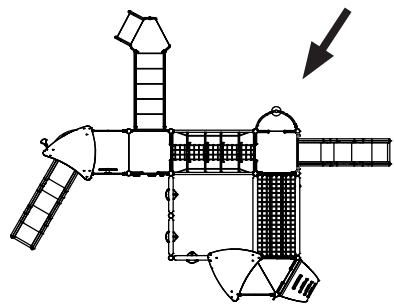
45275323 [OM]

45071503

42091210

MA424U77151 [BM]

MA422U77151 [OM]



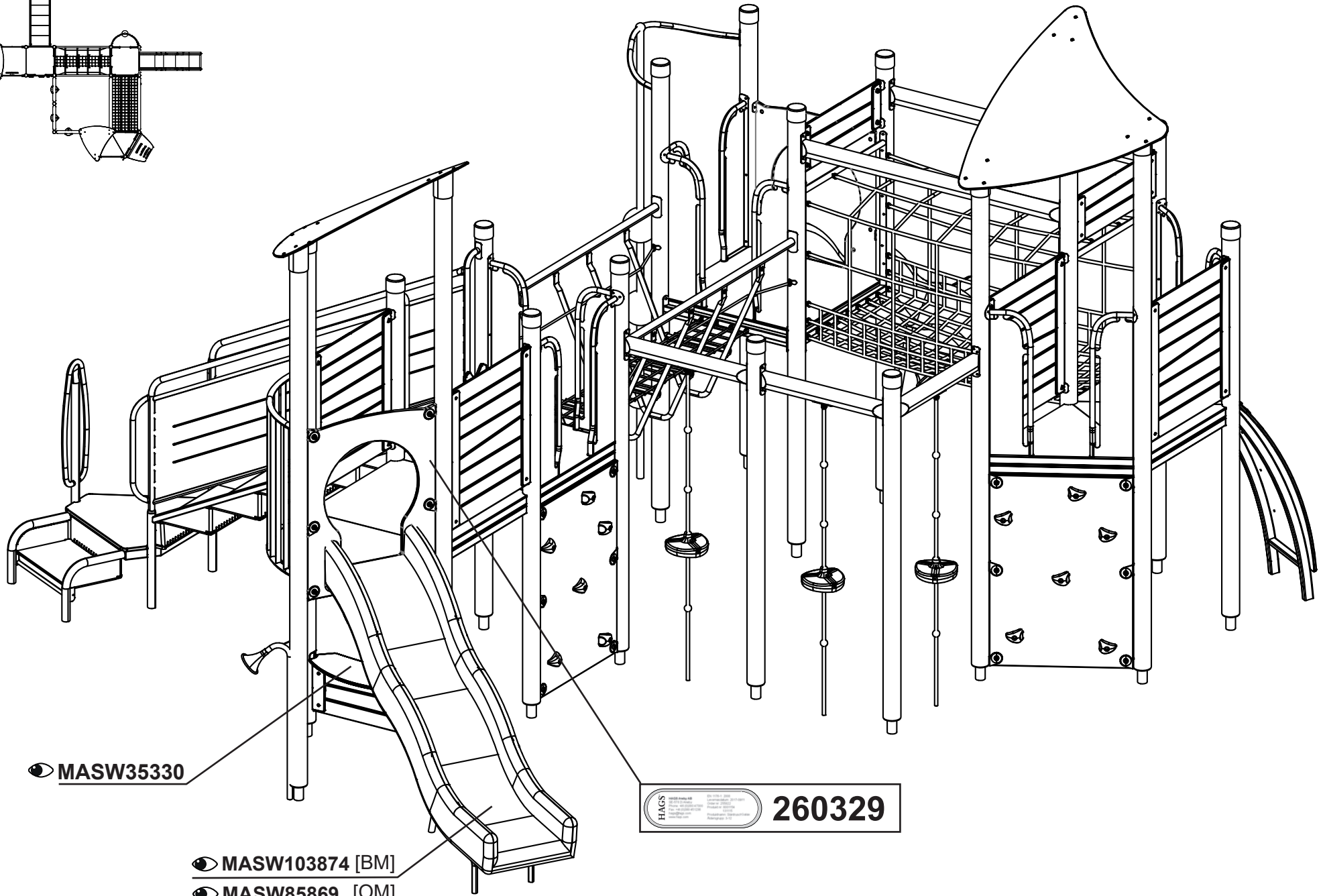
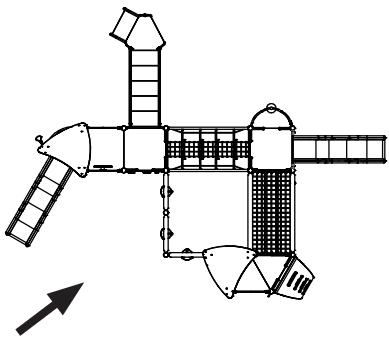
● MASW38904

● MASW38904

● MASW39775  
x12

● MASW103874 [BM]

● MASW85869 [OM]



● MASW35330

● MASW103874 [BM]

● MASW85869 [OM]

